

DAVEY CrystalClear®

HIGH PERFORMANCE

APPLICATION

Ideal for inground and above ground pools, Suitable for salt, mineral salt and fresh water pools. Models suitable for pools up to 300,000 litres.



THE CRYSTALCLEAR RANGE HAS BEEN SPECIFICALLY DESIGNED FOR WATER-CONSCIOUS FILTRATION OF SWIMMING POOLS AND SPA POOLS

- > Less water used, no backwashing needed
- > Perfect for use with energy efficient pool pumps
- > Easy to maintain and clean
- > Replacement filter elements available
- > The filter lid is retained by a lock ring which enables easy access for element cleaning
- > A.B.S. tank construction is robust, UV resistant and non corrosive for long life
- > Low profile design means elements are easier to lift out for cleaning and require less height for installation
- > The element is constructed of Du Pont Reemay which is recognised for its excellent filtration and long life
- > A quality pressure gauge makes it easy to see when element cleaning is required
- > A manual air bleed enables the filter to be de-pressurised before opening for cleaning
- > A choice of two inlet ports enables the inlet plumbing to be installed at either 90° or 180° to the outlet for greater flexibility in installation
- > A.B.S. Barrel unions are supplied to make installation simple



Depend on Davey

DAVEY

CrystalClear Cartridge Filters

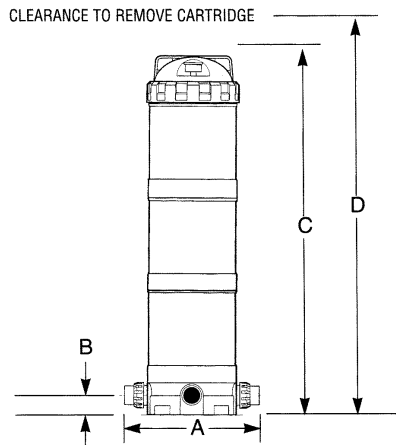


- Automatic air bleed** purges trapped air during filtration
- Durable polyurethane end caps** are reinforced to support pleats and protect the element
- 4 oz Mesh weight** for fine filtration and high water quality
- High quality Du Pont polyester mesh** for clog free, long life
- Large spaces between pleats** for easy cleaning and long filtration cycles
- A.B.S. tank construction** is robust, UV resistant and non-corrosive for long life

PERFORMANCE DATA & MEDIA REQUIRED	Model	Filtration Area (m ²)	Filtration Area (ft ²)	Maximum Flow Rate (lpm)	6 Hour Turnover* (litres)	8 Hour Turnover** (litres)
	39050	4.65	50	205	73,800	98,400
	39075	6.95	75	270	97,200	129,600
	39100	9.29	100	340	122,400	163,200
	39150	13.93	150	450	162,000	216,000
	39175	16.25	175	540	194,400	259,200
	39225	20.90	225	670	241,200	321,600

* Figure based on 6 hour turnover @12.5m head. **Figure based on 8 hour turnover @12.5m head.

DIMENSIONS (mm)



Model	A	B	C	D	Inlet PVC	Outlet PVC
39050	410	60	540	835	40/50*	40/50*
39025			540	835		
39100			635	1000		
39150			820	1360		
39175			905	1550		
39225			1110	1950		

*40/50mm tail on unions allow connection of a DN40 PVC pipe or into the socket/collar of a DN50 PVC pipe.

OPERATING LIMITS

Maximum water temperature	45°C
Maximum operating pressure	280kPa

REPLACEMENT FILTER

Model	Replacement Filter P/N
39050	Q2310
39075	Q2311
39100	Q2312
39150	Q2313
39175	Q2311 & Q2312
39225	Q2311 & Q2313

davey.com.au | daveynz.co.nz | daveyeurope.eu | daveyusa.com

This literature is not a complete guide to product usage. All images provided in this document are for illustration purposes only. Further information is available from your Davey Dealer, Davey Support Centre and from the relevant product Installation and Operating Instructions. Must be read in conjunction with the relevant product Installation and Operating Instructions and all applicable statutory requirements. Product specifications may change without notice. © Davey is a registered trademark of Davey Water Products Pty Ltd. © Davey Water Products Pty Ltd 2017.

DAVEY

Depend on Davey